

Modern City

Lighting & Electrical Trading LLC

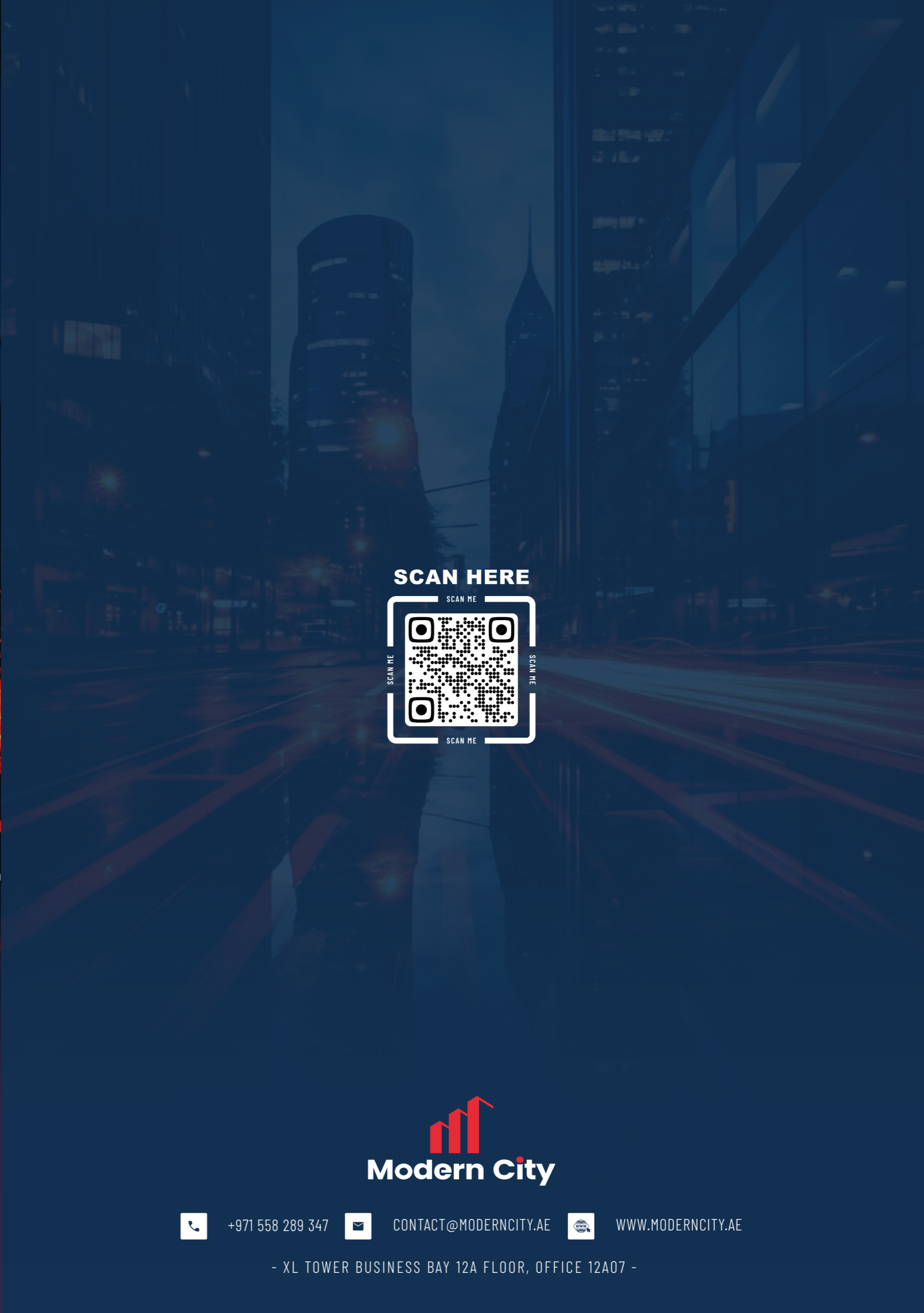
Product Catalog **2023**

STREET LIGHT & GARDEN LIGHT

Pro series 5.7.10 Years

+971 558 289 347 CONTACT@MODERNCITY.AE WWW.MODERNCITY.AE

- XL TOWER BUSINESS BAY 12A FLOOR, OFFICE 12A07 -



SCAN HERE



Modern City

+971 558 289 347 CONTACT@MODERNCITY.AE WWW.MODERNCITY.AE

- XL TOWER BUSINESS BAY 12A FLOOR, OFFICE 12A07 -

VENUS



VENUS looks very modern with simple and super-thin design.

- 3 sizes for different wattage from 70W to 240W
- Super luminaire efficiency up to 150 lm/w
- High light efficiency and perfect light distribution
- Good Thermal control system to ensure long lifetime
- Tool-free design for easy installation and maintenance
- Low wind area and drop protector



VENUS

MC-LED31 Series

Patented design

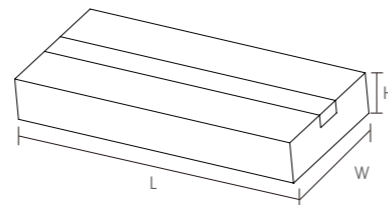


Technical information

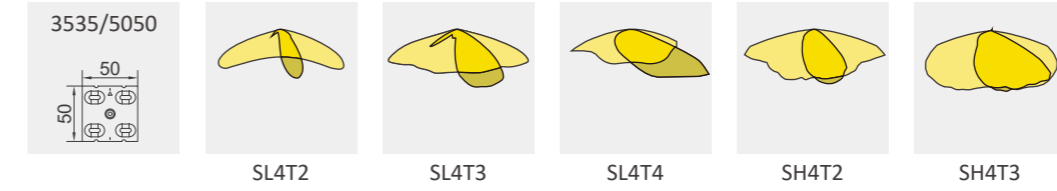
Parameter	Technical data	Parameter	Technical data
Lifetime	Up to 100,000hrs LM70, Ta 25 C	Driver isolation	Class I or Class II
Wattags	20~250W	Control dimming	DALI / 1-10V / Timing / PWM
Light efficacy	Up to 151lm/W	Operating temperature	-35°C~50°C / 10% ~ 95% (humidity)
CRI	≥ 70 or ≥ 80	Body parts material	ADC12 (standard) / LM6 (option)
Color temperature	3000K, 4000K, Amber color	Optic	PC (standard) / PMMA (option)
Operation voltage	AC 90-305V or AC 220-240V	Screen	Flat tempered glass 5mm thickness
Frequency	50 / 60Hz	Gasket	Silicone
Power factor	≥0.95 cos	Color stability	3 or 5 MacAdam steps

Packing Information

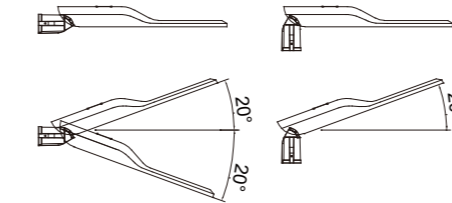
Model	Carton Size(L*W*H)	QTY/Carton	N.W.(kg)	G.W.(kg)
S MC-LED31S	675*305*160mm	1	6.7	7.3
M MC-LED31M	730*320*140mm	1	8.5	8.8
L MC-LED31L	865*380*150mm	1	9.6	11.0



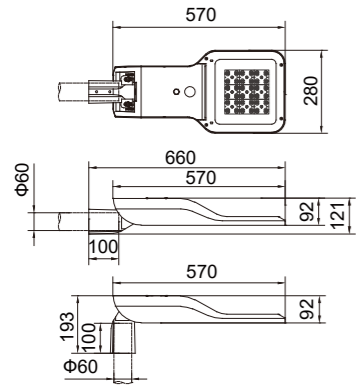
Optics available



Details

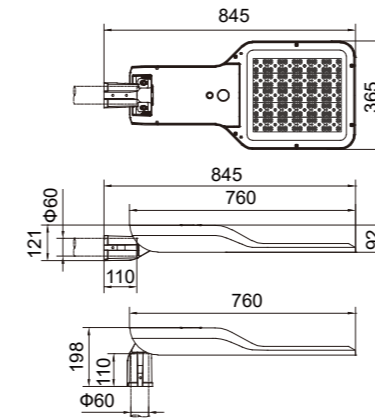


Code



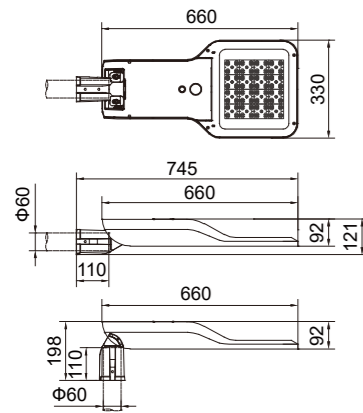
MC-LED31S
VENUS S

Order code	Chip	LED QTY	Lens Type	Power (W)	Luminaire output flux (lm)	Luminaire efficacy (lm/W)
13101	5050	16	4	20	3000	150
13102	5050	16	4	30	4500	150
13103	5050	24	4	40	6000	150
13104	5050	24	4	50	7500	150
13105	5050	36	4	60	9000	150
13106	5050	36	4	80	12000	150



MC-LED31L
VENUS L

Order code	Chip	LED QTY	Lens Type	Power (W)	Luminaire output flux (lm)	Luminaire efficacy (lm/W)
13116	5050	80	4	160	24000	150
13117	5050	80	4	170	25500	150
13118	5050	100	4	180	27000	150
13119	5050	100	4	190	28500	150
13120	5050	100	4	200	30000	150
13121	5050	100	4	210	31500	150
13122	5050	120	4	220	33000	150
13123	5050	120	4	230	34500	150
13124	5050	120	4	240	36000	150
13125	5050	120	4	250	37500	150



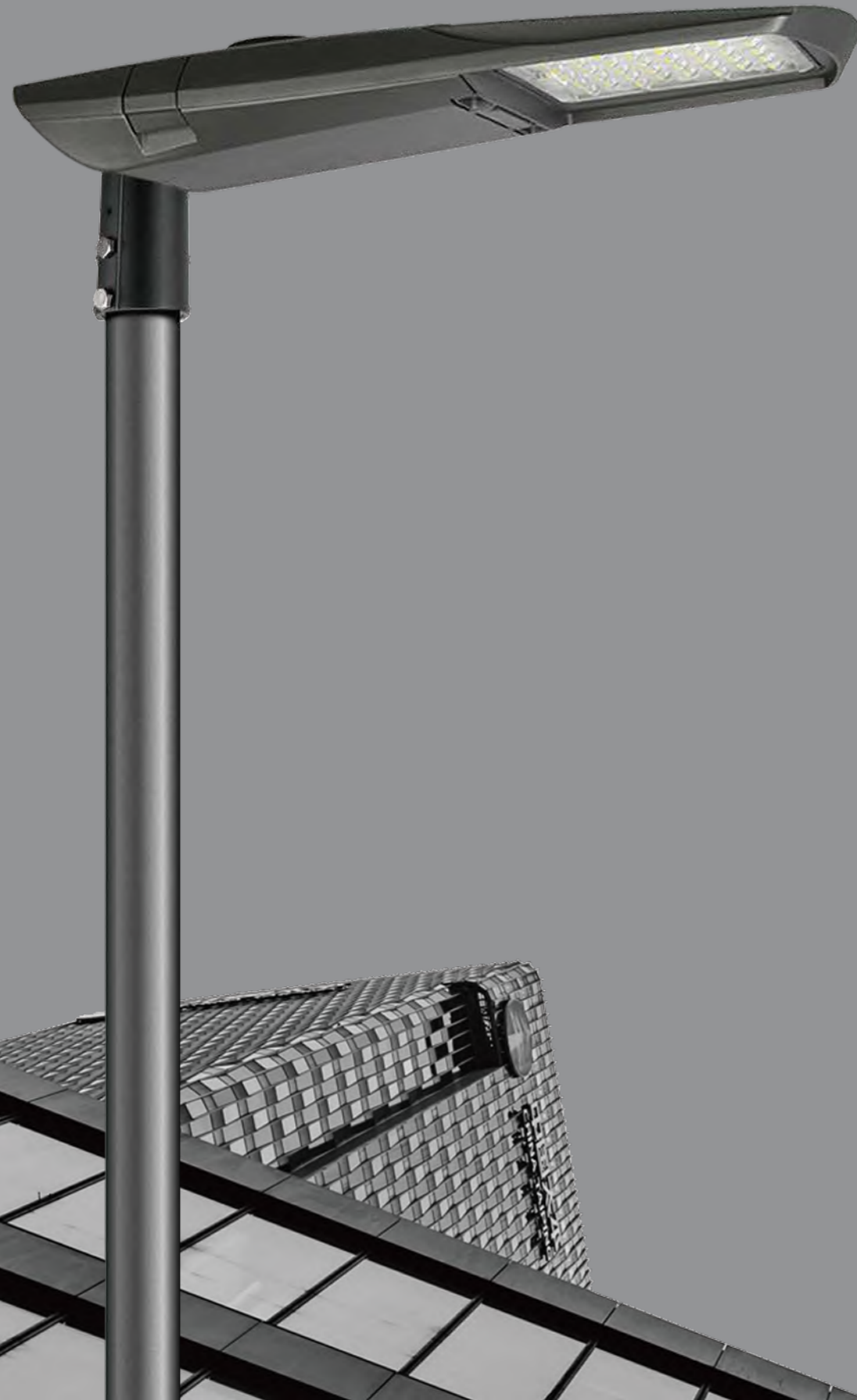
MC-LED31M
VENUS M

Order code	Chip	LED QTY	Lens Type	Power (W)	Luminaire output flux (lm)	Luminaire efficacy (lm/W)
13107	5050	36	4	60	9000	150
13108	5050	36	4	80	12000	150
13109	5050	48	4	90	13500	150
13110	5050	48	4	100	15000	150
13111	5050	48	4	110	16500	150
13112	5050	64	4	120	18000	150
13113	5050	64	4	130	19500	150
13114	5050	64	4	140	21000	150
13115	5050	64	4	150	22500	150

* 5050: LUMILEDS 5050; 3535: CREE XPG3; 3030: LUMILEDS 3030

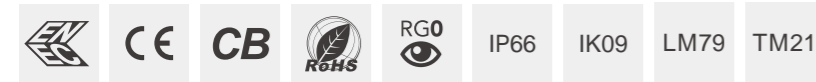
Lm: This data is tested under normal working condition, the actual data will depends on environment condition, optics/diffuser and CCT.

CONCORD



CONCORD is a modern and economical model.

- 5 sizes for different wattage 70W to 240W
- Economical
- Modern design
- Good Thermal control system to ensure long lifetime
- Tool-free design for easy installation and maintenance
- Low wind area and drop protector

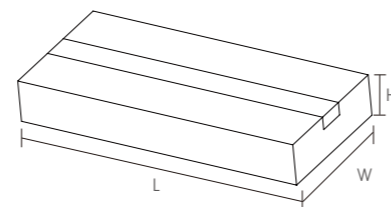


Technical information

Parameter	Technical data	Parameter	Technical data
Lifetime	Up to 100,000hrs LM70, Ta 25 C	Driver isolation	Class I or Class II
Wattags	30~320W	Control dimming	DALI / 1-10V / Timing / PWM
Light efficacy	Up to 150lm/W	Operating temperature	-35°C~50°C / 10% ~ 95% (humidity)
CRI	≥ 70 or ≥ 80	Body parts material	ADC12 (standard) / LM6 (option)
Color temperature	3000K, 4000K, Amber color	Optic	PC (standard) / PMMA (option)
Operation voltage	AC 90-305V or AC 220-240V	Screen	Flat tempered glass 5mm thickness
Frequency	50 / 60Hz	Gasket	Silicone
Power factor	≥0.95 cos	Color stability	3 or 5 MacAdam steps

Packing Information

Model	Carton Size(L*W*H)	QTY/Carton	N.W.(kg)	G.W.(kg)
XS MC-LED32-XS	590*245*140mm	1	4.3	4.7
S MC-LED32-S	665*270*135mm	1	5.3	6.2
M MC-LED32-M	730*320*140mm	1	7.0	7.7
L MC-LED32-L	820*360*135mm	1	8.8	9.7
XL MC-LED32-XL	945*415*145mm	1	9.6	10.8



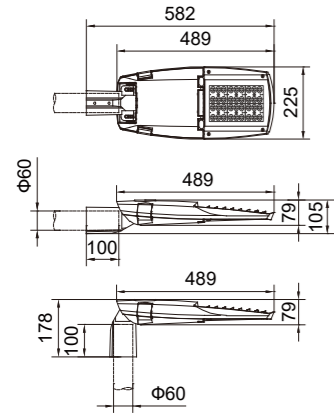
Optics available



Details

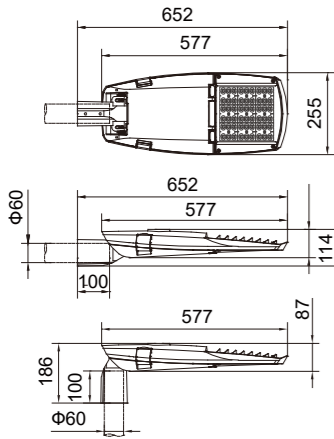


Code



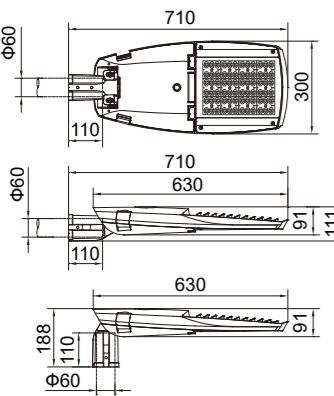
MC-LED32XS
CONCORD XS

Order code	Chip	LED QTY	Lens Type	Power (W)	Luminaire output flux (lm)	Luminaire efficacy (lm/W)
13209	5050	18	6	30	4500	150
13210	5050	24	6	40	6000	150
13211	5050	24	6	50	7500	150
13212	5050	36	6	60	9000	150
13213	3030	42	14	30	3900	130
13214	3030	56	14	40	5200	130
13215	3030	56	14	50	6500	130
13216	3030	84	14	60	7800	130



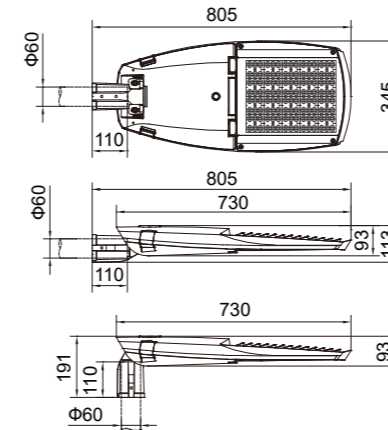
MC-LED32S
CONCORD S

Order code	Chip	LED QTY	Lens Type	Power (W)	Luminaire output flux (lm)	Luminaire efficacy (lm/W)
13223	5050	36	6	80	10800	150
13224	5050	48	6	100	13600	150
13225	5050	54	6	120	16200	150
13226	3030	84	14	80	10000	130
13227	3030	112	14	100	12500	130
13228	3030	126	14	120	15000	130



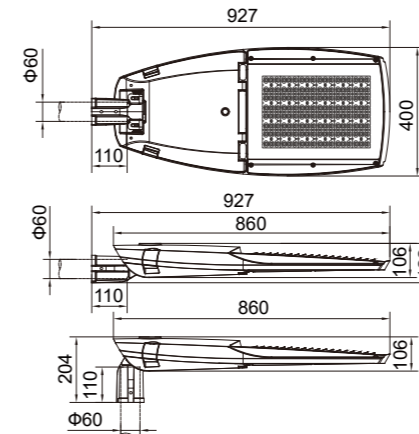
MC-LED32M
CONCORD M

Order code	Chip	LED QTY	Lens Type	Power (W)	Luminaire output flux (lm)	Luminaire efficacy (lm/W)
13237	5050	54	6	120	18000	150
13238	5050	72	6	150	22500	150
13239	3030	126	14	120	15600	130
13240	3030	168	14	150	19500	130



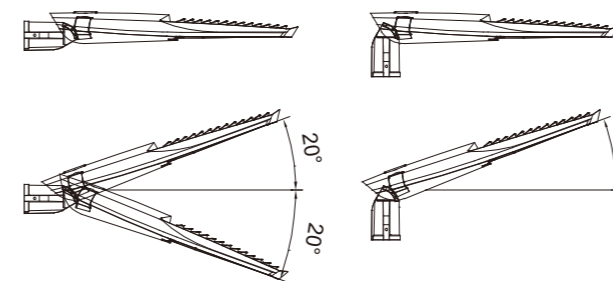
MC-LED32L
CONCORD L

Order code	Chip	LED QTY	Lens Type	Power (W)	Luminaire output flux (lm)	Luminaire efficacy (lm/W)
13249	5050	96	6	180	27000	150
13250	5050	96	6	200	30000	150
13251	5050	120	6	240	36000	150
13252	3030	224	14	180	23400	130
13253	3030	224	14	200	26000	130
13254	3030	280	14	240	31200	130



MC-LED32XL
CONCORD XL

Order code	Chip	LED QTY	Lens Type	Power (W)	Luminaire output flux (lm)	Luminaire efficacy (lm/W)
13263	5050	144	6	280	42000	150
13264	5050	144	6	320	48000	150
13265	3030	336	14	280	36400	130
13266	3030	336	14	320	41600	130



* 5050: LUMILEDS 5050; 3535: CREE XPG3; 3030: LUMILEDS 3030

lm: This data is tested under normal working condition, the actual data will depends on environment condition, optics/diffuser and CCT.

BERLIN



BERLIN has smooth backside with higher self-purification ability. The integration of street light and camera has been realized based on this model.

- Elegant & super- Slim aesthetics
- Tool free installation and maintenance
- Dark sky friendly and no upward light
- Flexible and intelligent drivers for smart city
- Low wind area and drop protector
- Camera support

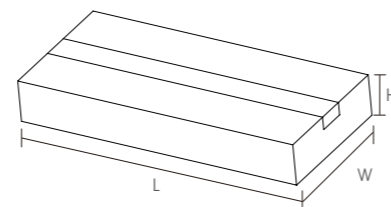


Technical information

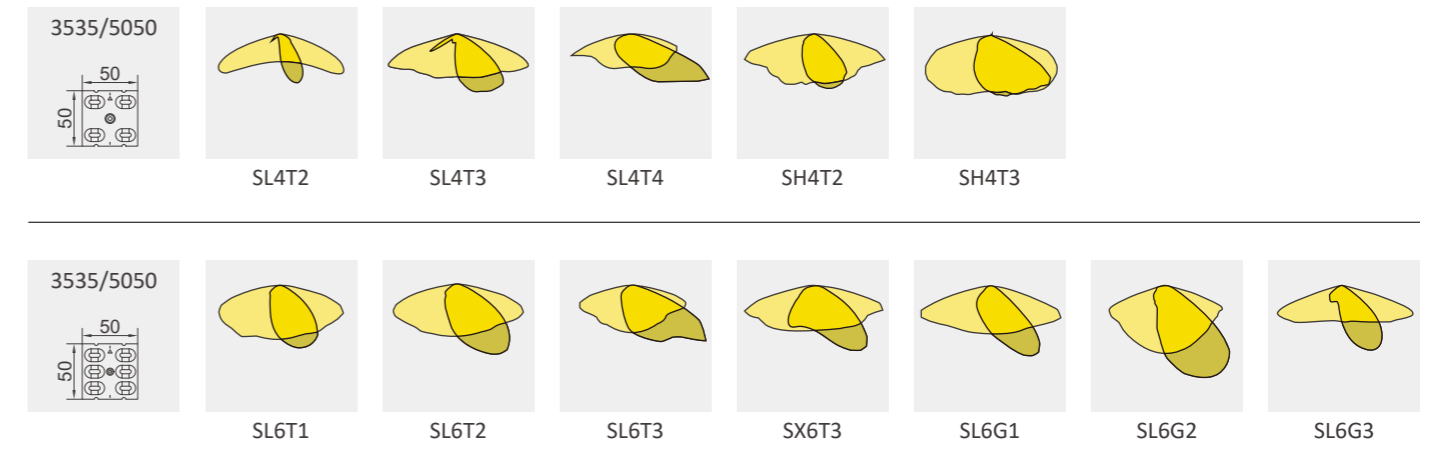
Parameter	Technical data	Parameter	Technical data
Lifetime	Up to 100,000hrs LM70, Ta 25 C	Driver isolation	Class I or Class II
Wattags	25~320W	Control dimming	DALI / 1-10V / Timing / PWM
Light efficacy	Up to 161lm/W	Operating temperature	-35°C~50°C / 10% ~ 95% (humidity)
CRI	≥ 70 or ≥ 80	Body parts material	ADC12 (standard) / LM6 (option)
Color temperature	3000K, 4000K, Amber color	Optic	PC (standard) / PMMA (option)
Operation voltage	AC 90-305V or AC 220-240V	Screen	Flat tempered glass 5mm thickness
Frequency	50 / 60Hz	Gasket	Silicone
Power factor	≥0.95 cos	Color stability	3 or 5 MacAdam steps

Packing Information

Model	Carton Size(L*W*H)	QTY/Carton	N.W.(kg)	G.W.(kg)
XS MC-LED15C	635*320*140mm	1	5.7	6.2
S MC-LED15B	740*360*150mm	1	7.3	8.5
M MC-LED15A	930*445*155mm	1	11.9	13.9
L MC-LED15	1080*505*170mm	1	17.6	20.1



Optics available



Details



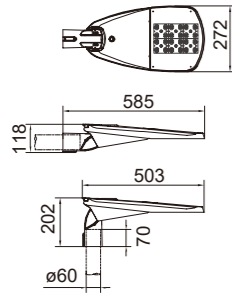
Sky eye



DS-2DE328ZYL-ACX

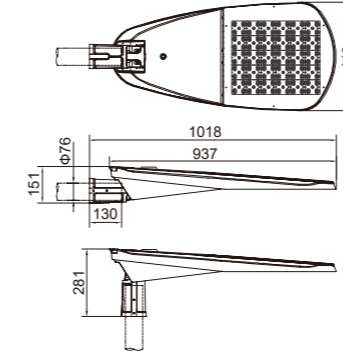


Code



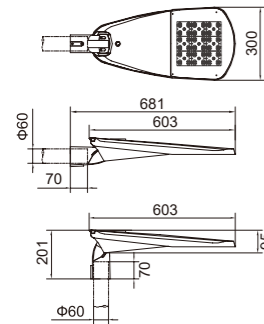
MC-LED15C
BERLIN XS

Order code	Chip	LED QTY	Current (mA)	Power (W)	Luminaire output flux (lm)	Luminaire efficacy (lm/W)
11501	5050	24	350	25	3550	142
11502	5050	24	400	30	4230	141
11503	5050	24	500	40	5480	137
11504	5050	24	700	55	7260	132
11505	5050	24	800	60	7740	129
11506	5050	24	1050	80	9520	119
11507	3535	24	350	25	3533	141
11508	3535	24	400	30	3991	133
11509	3535	24	500	40	5004	125
11510	3535	24	700	55	6686	122
11511	3535	24	800	60	7182	120
11512	3535	24	1050	80	9226	115



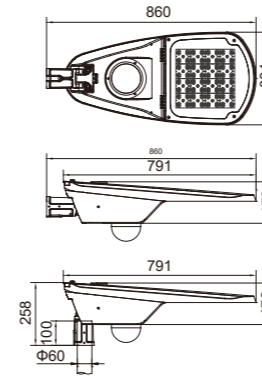
MC-LED15
BERLIN L

Order code	Chip	LED QTY	Current (mA)	Power (W)	Luminaire output flux (lm)	Luminaire efficacy (lm/W)
11531	5050	120	350	125	17625	141
11532	5050	120	500	175	23975	137
11533	5050	120	700	250	33000	132
11534	5050	120	730	270	35100	130
11535	3535	120	350	125	17625	141
11536	3535	120	500	175	24500	140
11537	3535	120	700	250	33000	132
11538	3535	120	730	270	34020	126



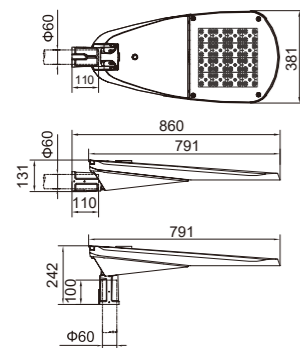
MC-LED15B
BERLIN S

Order code	Chip	LED QTY	Current (mA)	Power (W)	Luminaire output flux (lm)	Luminaire efficacy (lm/W)
11513	5050	36	350	40	5680	142
11514	5050	36	525	60	8160	136
11515	5050	36	700	80	10560	132
11516	5050	36	800	90	11610	129
11517	3535	36	350	40	5298	132
11518	3535	36	525	60	7573	126
11519	3535	36	700	80	9760	122
11520	3535	36	800	90	10836	120



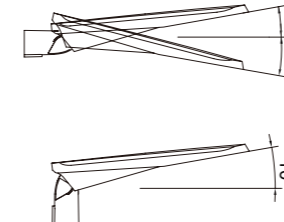
MC-LED15 Camera
BERLIN Sky eye

Order code	Chip	LED QTY	Current (mA)	Power (W)	Luminaire output flux (lm)	Luminaire efficacy (lm/W)
11539	5050	64	350	65	9262	142
11540	5050	64	500	95	13015	137
11541	5050	64	620	120	16080	134
11542	5050	64	700	140	18480	132
11543	5050	64	800	160	20640	129
11544	3535	64	350	65	9419	145
11545	3535	64	500	95	13055	137
11546	3535	64	620	120	15789	132
11547	3535	64	700	140	17542	125
11548	3535	64	800	160	19647	123

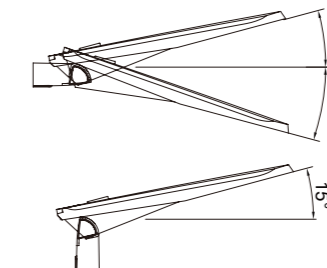


MC-LED15A
BERLIN M

Order code	Chip	LED QTY	Current (mA)	Power (W)	Luminaire output flux (lm)	Luminaire efficacy (lm/W)
11521	5050	64	350	65	9262	142
11522	5050	64	500	95	13015	137
11523	5050	64	620	120	16080	134
11524	5050	64	700	140	18480	132
11525	5050	64	800	160	20640	129
11526	3535	64	350	65	9425	145
11527	3535	64	500	95	13015	137
11528	3535	64	620	120	15840	132
11529	3535	64	700	140	17500	125
11530	3535	64	800	160	19680	123



MC-LED15B/15C

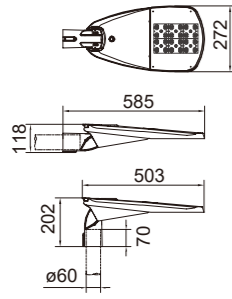


MC-LED15A/15

Calculations based on 4000K with T2 optic and no Light Output Reduction (LOR) factor applied

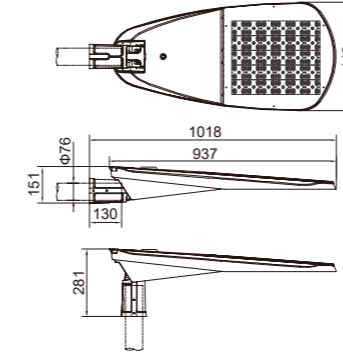
* 5050: LUMILEDS 5050; 3535: OSRAM SQUARE; 3030: LUMILEDS 3030

Code



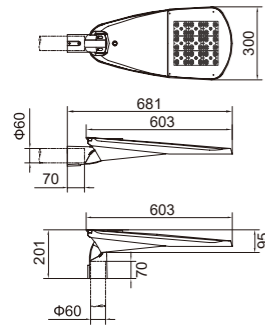
MC-LED15C
BERLIN XS

Order code	Chip	LED QTY	Lens Type	Power (W)	Luminaire output flux (lm)	Luminaire efficacy (lm/W)
11549	5050	18	6	40	6000	150
11550	5050	36	6	60	9000	150
11551	3535	18	6	40	5600	140
11552	3535	36	6	60	8400	140



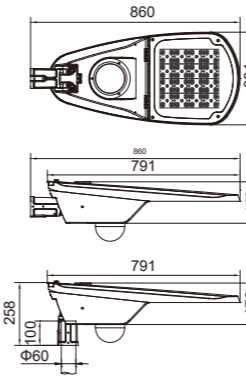
MC-LED15
BERLIN L

Order code	Chip	LED QTY	Lens Type	Power (W)	Luminaire output flux (lm)	Luminaire efficacy (lm/W)
11563	5050	150	6	200	30000	150
11564	5050	180	6	240	36000	150
11565	5050	210	6	320	48000	150
11566	3535	150	6	200	28000	140
11567	3535	180	6	240	33600	140
11568	3535	180	6	320	44800	140



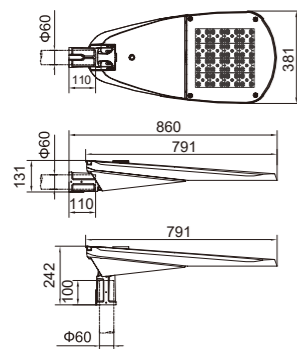
MC-LED15B
BERLIN S

Order code	Chip	LED QTY	Lens Type	Power (W)	Luminaire output flux (lm)	Luminaire efficacy (lm/W)
11553	5050	36	6	80	12000	150
11554	5050	54	6	120	18000	150
11555	5050	54	6	150	22500	150
11556	3535	36	6	80	11200	140
11557	3535	54	6	120	16800	140
11558	3535	54	6	150	21000	140



MC-LED15 Camera
BERLIN Sky eye

Order code	Chip	LED QTY	Lens Type	Power (W)	Luminaire output flux (lm)	Luminaire efficacy (lm/W)
11569	5050	72	6	150	22500	150
11570	5050	96	6	200	30000	150
11571	3535	72	6	150	21000	140
11572	3535	96	6	200	28000	140



MC-LED15A
BERLIN M

Order code	Chip	LED QTY	Lens Type	Power (W)	Luminaire output flux (lm)	Luminaire efficacy (lm/W)
11559	5050	72	6	150	22500	150
11560	5050	96	6	200	30000	150
11561	3535	72	6	150	21000	140
11562	3535	96	6	200	28000	140

Calculations based on 4000K with T2 optic and no Light Output Reduction (LOR) factor applied
* 5050: LUMILEDS 5050; 3535: OSRAM SQUARE; 3030: LUMILEDS 3030

Garden light



MONDIAL
MC-LED27A



DOMO
MC-LED27F



COBRA
MC-LED27D



SKY EYE
MC-LED27H



EVERST
MC-LED27B



ARCO
MC-LED27J



GREEN PARK
MC-LED27G

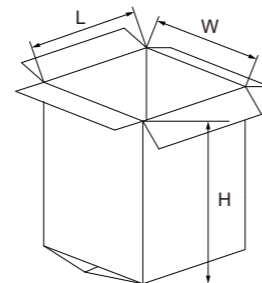


Technical information

Parameter	Technical data	Parameter	Technical data
Lifetime	Up to 100,000hrs LM70, Ta 25 C	Driver isolation	Class I or Class II
Wattags	20~100W	Control dimming	DALI / 1-10V / Timing / PWM
Light efficacy	Up to 129lm/W	Operating temperature	-35°C~50°C / 10% ~ 95% (humidity)
CRI	≥ 70 or ≥ 80	Body parts material	Die cast Aluminum
Color temperature	3000K, 4000K, Amber color	Optic	PC (standard) / PMMA (option)
Operation voltage	AC 90-305V or AC 220-240V	Screen	Flat tempered glass 5mm thickness
Frequency	50 / 60Hz	Gasket	Silicone
Power factor	≥0.95 cos	Color stability	3 or 5 MacAdam steps

Packing Information

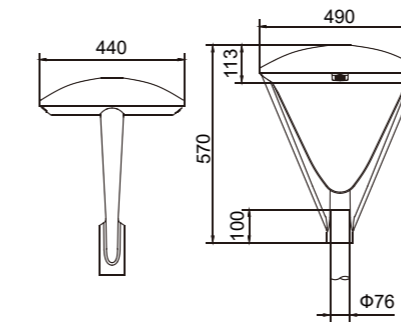
Model	Carton Size(L*W*H)	QTY/Carton	N.W.(kg)	G.W.(kg)
MC-LED27A	505*455*600mm	1	10.0	13.8
Bulk items	505*455*145mm	1	10.0	13.8



Optics available



Details



Order code	Chip	LED QTY	Lens Type	Power (W)	Luminaire output flux (lm)	Luminaire efficacy (lm/W)
22701	5050	16	4	20	2560	128
22702	5050	16	4	30	3840	128
22703	5050	24	4	40	5120	128
22704	5050	24	4	50	6400	128
22705	5050	32	4	60	7740	129
22706	5050	32	4	70	8050	115
22707	5050	48	4	80	9200	115
22708	5050	48	4	90	10350	115
22709	5050	48	4	100	11500	115

Accessories - Adapter



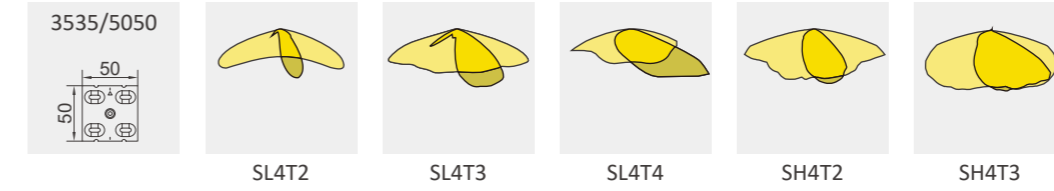
Spigot size 76 to 60 mm

* 5050: LUMILEDS 5050; 3535: CREE XPG3; 3030: LUMILEDS 3030

Lm: This data is tested under normal working condition, the actual data will depends on environment condition, optics/diffuser and CCT.



Optics available

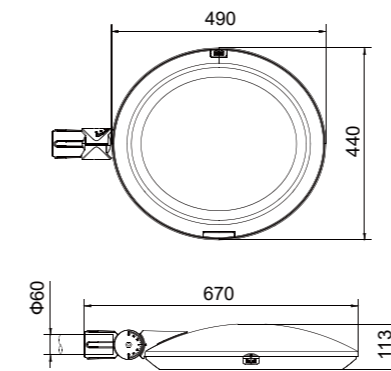


Details



Technical information

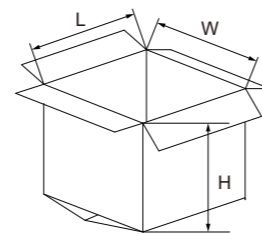
Parameter	Technical data	Parameter	Technical data
Lifetime	Up to 100,000hrs LM70, Ta 25 C	Driver isolation	Class I or Class II
Wattags	20~100W	Control dimming	DALI / 1-10V / Timing / PWM
Light efficacy	Up to 143lm/W	Operating temperature	-35°C~50°C / 10% ~ 95% (humidity)
CRI	≥ 70 or ≥ 80	Body parts material	Die cast Aluminum
Color temperature	3000K, 4000K, Amber color	Optic	PC (standard) / PMMA (option)
Operation voltage	AC 90-305V or AC 220-240V	Screen	Flat tempered glass 5mm thickness
Frequency	50 / 60Hz	Gasket	Silicone
Power factor	≥0.95 cos	Color stability	3 or 5 MacAdam steps



Order code	Chip	LED QTY	Lens Type	Power (W)	Luminaire output flux (lm)	Luminaire efficacy (lm/W)
22710	5050	16	4	20	2560	128
22711	5050	16	4	30	3840	128
22712	5050	24	4	40	5120	128
22713	5050	24	4	50	6400	128
22714	5050	32	4	60	7740	129
22715	5050	32	4	70	8050	115
22716	5050	48	4	80	9200	115
22717	5050	48	4	90	10350	115
22718	5050	48	4	100	11500	115

Packing Information

Model	Carton Size(L*W*H)	QTY/Carton	N.W.(kg)	G.W.(kg)
MC-LED27B	505*455*260mm	1	9.3	11.7



* 5050: LUMILEDS 5050; 3535: CREE XPG3; 3030: LUMILEDS 3030

Lm: This data is tested under normal working condition, the actual data will depends on environment condition, optics/diffuser and CCT.

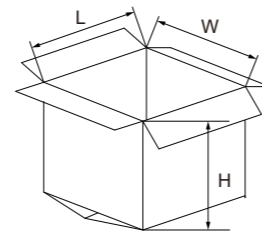


Technical information

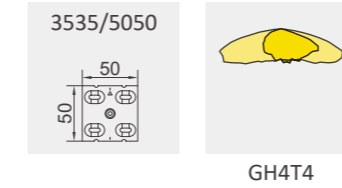
Parameter	Technical data	Parameter	Technical data
Lifetime	Up to 100,000hrs LM70, Ta 25 C	Driver isolation	Class I or Class II
Wattags	20~60W	Control dimming	DALI / 1-10V / Timing / PWM
Light efficacy	Up to 130lm/W	Operating temperature	-35°C~50°C / 10% ~ 95% (humidity)
CRI	≥ 70 or ≥ 80	Body parts material	Die cast Aluminum
Color temperature	3000K, 4000K, Amber color	Optic	PC (standard) / PMMA (option)
Operation voltage	AC 90-305V or AC 220-240V	Screen	PC(standard)
Frequency	50 / 60Hz	Gasket	Silicone
Power factor	≥0.95 cos	Color stability	3 or 5 MacAdam steps

Packing Information

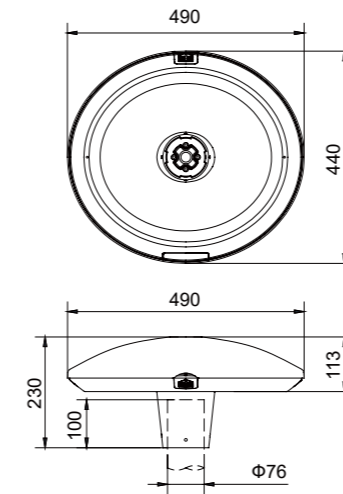
Model	Carton Size(L*W*H)	QTY/Carton	N.W.(kg)	G.W.(kg)
MC-LED27F	505*455*260mm	1	7.15	11.7



Optics available



Details



Order code	Chip	LED QTY	Lens Type	Power (W)	Luminaire output flux (lm)	Luminaire efficacy (lm/W)
22719	5050	16	4	20	2560	128
22720	5050	16	4	30	3840	128
22721	5050	24	4	40	5120	128
22722	5050	24	4	50	6400	128
22723	5050	32	4	60	7740	129

Accessories - Adapter



Spigot size 76 to 60 mm

* 5050: LUMILEDS 5050; 3535: CREE XPG3; 3030: LUMILEDS 3030

Lm: This data is tested under normal working condition, the actual data will depends on environment condition, optics/diffuser and CCT.

COBRA

MC-LED27D

Patented design

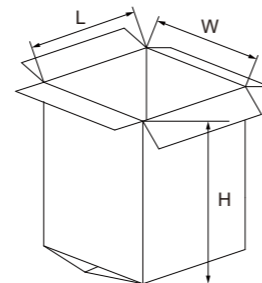


Technical information

Parameter	Technical data	Parameter	Technical data
Lifetime	Up to 100,000hrs LM70, Ta 25 C	Driver isolation	Class I or Class II
Wattags	20~100W	Control dimming	DALI / 1-10V / Timing / PWM
Light efficacy	Up to 135lm/W	Operating temperature	-35°C~50°C / 10% ~ 95% (humidity)
CRI	≥ 70 or ≥ 80	Body parts material	Die cast Aluminum
Color temperature	3000K, 4000K, Amber color	Optic	PC (standard) / PMMA (option)
Operation voltage	AC 90-305V or AC 220-240V	Screen	Flat tempered glass 5mm thickness
Frequency	50 / 60Hz	Gasket	Silicone
Power factor	≥0.95 cos	Color stability	3 or 5 MacAdam steps

Packing Information

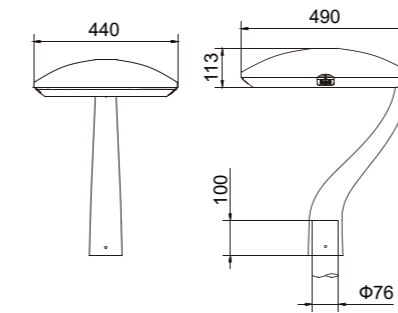
Model	Carton Size(L*W*H)	QTY/Carton	N.W.(kg)	G.W.(kg)
MC-LED27D	505*455*630mm	1	9.7	11.3



Optics available



Details



Order code	Chip	LED QTY	Lens Type	Power (W)	Luminaire output flux (lm)	Luminaire efficacy (lm/W)
22728	5050	16	4	20	2560	128
22729	5050	16	4	30	3840	128
22730	5050	24	4	40	5120	128
22731	5050	24	4	50	6400	128
22732	5050	32	4	60	7740	129
22733	5050	32	4	70	8050	115
22734	5050	48	4	80	9200	115
22735	5050	48	4	90	10350	115
22736	5050	48	4	100	11500	115

Accessories - Adapter



Spigot size 76 to 60 mm

* 5050: LUMILEDS 5050; 3535: CREE XPG3; 3030: LUMILEDS 3030

Lm: This data is tested under normal working condition, the actual data will depends on environment condition, optics/diffuser and CCT.

Garden light



ANTALYA
MC-LED29



ALURA
MC-LED29A



IRIS
MC-LED29B



ORIGO
MC-LED29C

ANTALYA

MC-LED29

Patented design

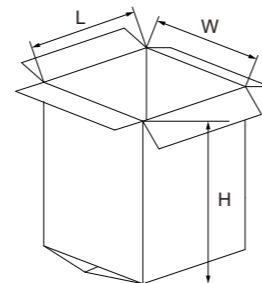


Technical information

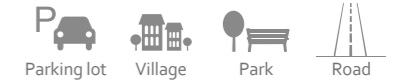
Parameter	Technical data	Parameter	Technical data
Lifetime	Up to 100,000hrs LM70, Ta 25 C	Driver isolation	Class I or Class II
Wattags	20~100W	Control dimming	DALI / 1-10V / Timing / PWM
Light efficacy	Up to 105lm/W	Operating temperature	-35°C~50°C / 10% ~ 95% (humidity)
CRI	≥ 70 or ≥ 80	Body parts material	Die cast Aluminum
Color temperature	3000K, 4000K, Amber color	Optic	PC (standard) / PMMA (option)
Operation voltage	AC 90-305V or AC 220-240V	Screen	Flat tempered glass 5mm thickness
Frequency	50 / 60Hz	Gasket	Silicone
Power factor	≥0.95 cos	Color stability	3 or 5 MacAdam steps

Packing Information

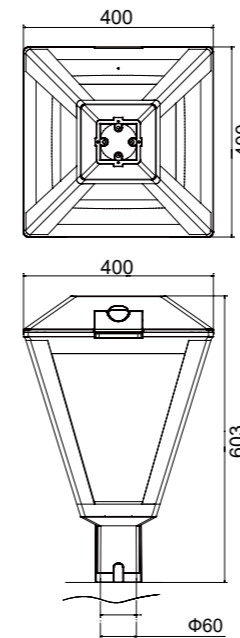
Model	Carton Size(L*W*H)	QTY/Carton	N.W.(kg)	G.W.(kg)
MC-LED29	410*410*635mm	1	10.7	11.3



Optics available



Details



Order code	Chip	LED QTY	Lens Type	Power (W)	Luminaire output flux (lm)	Luminaire efficacy (lm/W)
22701	5050	16	4	20	2560	128
22702	5050	16	4	30	3840	128
22703	5050	24	4	40	5120	128
22704	5050	24	4	50	6400	128
22705	5050	32	4	60	7740	129
22706	5050	32	4	70	8050	115
22707	5050	48	4	80	9200	115
22708	5050	48	4	90	10350	115
22709	5050	48	4	100	11500	115

* 5050: LUMILEDS 5050; 3535: CREE XPG3; 3030: LUMILEDS 3030

Lm: This data is tested under normal working condition, the actual data will depend on environment condition, optics/diffuser and CCT.

ALURA

MC-LED29A

Patented design

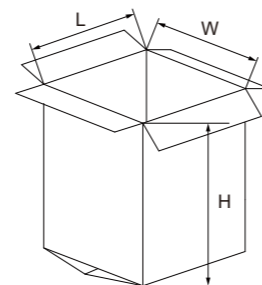


Technical information

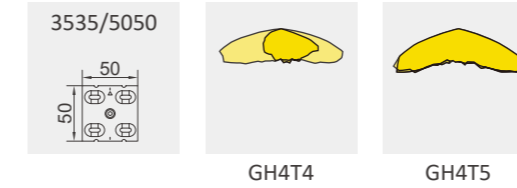
Parameter	Technical data	Parameter	Technical data
Lifetime	Up to 100,000hrs LM70, Ta 25 C	Driver isolation	Class I or Class II
Wattags	20~100W	Control dimming	DALI / 1-10V / Timing / PWM
Light efficacy	Up to 121lm/W	Operating temperature	-35°C~50°C / 10% ~ 95% (humidity)
CRI	≥ 70 or ≥ 80	Body parts material	Die cast Aluminum
Color temperature	3000K, 4000K, Amber color	Optic	PC (standard) / PMMA (option)
Operation voltage	AC 90-305V or AC 220-240V	Screen	Flat tempered glass 5mm thickness
Frequency	50 / 60Hz	Gasket	Silicone
Power factor	≥0.95 cos	Color stability	3 or 5 MacAdam steps

Packing Information

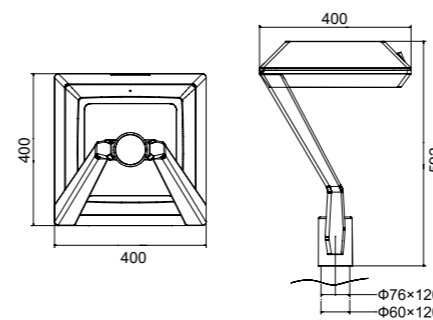
Model	Carton Size(L*W*H)	QTY/Carton	N.W.(kg)	G.W.(kg)
MC-LED29A	410*410*610mm	1	12.2	12.6



Optics available



Details



Order code	Chip	LED QTY	Lens Type	Power (W)	Luminaire output flux (lm)	Luminaire efficacy (lm/W)
22910	5050	16	4	20	2560	128
22911	5050	16	4	30	3840	128
22912	5050	24	4	40	5120	128
22913	5050	24	4	50	6400	128
22914	5050	32	4	60	7740	129
22915	5050	32	4	70	8050	115
22916	5050	48	4	80	9200	115
22917	5050	48	4	90	10350	115
22918	5050	48	4	100	11500	115

* 5050: LUMILEDS 5050; 3535: CREE XPG3; 3030: LUMILEDS 3030

Lm: This data is tested under normal working condition, the actual data will depends on environment condition, optics/diffuser and CCT.

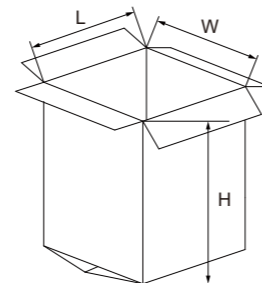


Technical information

Parameter	Technical data	Parameter	Technical data
Lifetime	Up to 100,000hrs LM70, Ta 25 C	Driver isolation	Class I or Class II
Wattags	20~100W	Control dimming	DALI / 1-10V / Timing / PWM
Light efficacy	Up to 140lm/W	Operating temperature	-35°C~50°C / 10% ~ 95% (humidity)
CRI	≥ 70 or ≥ 80	Body parts material	Die cast Aluminum
Color temperature	3000K, 4000K, Amber color	Optic	PC (standard) / PMMA (option)
Operation voltage	AC 90-305V or AC 220-240V	Screen	Flat tempered glass 5mm thickness
Frequency	50 / 60Hz	Gasket	Silicone
Power factor	≥0.95 cos	Color stability	3 or 5 MacAdam steps

Packing Information

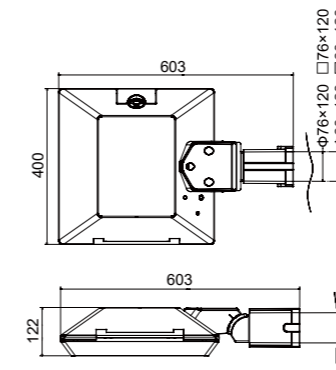
Model	Carton Size(L*W*H)	QTY/Carton	N.W.(kg)	G.W.(kg)
MC-LED29B	610*410*155mm	1	10.5	11.3



Optics available



Details



Order code	Chip	LED QTY	Lens Type	Power (W)	Luminaire output flux (lm)	Luminaire efficacy (lm/W)
22919	5050	16	4	20	2560	128
22920	5050	16	4	30	3840	128
22921	5050	24	4	40	5120	128
22922	5050	24	4	50	6400	128
22923	5050	32	4	60	7740	129
22924	5050	32	4	70	8050	115
22925	5050	48	4	80	9200	115
22926	5050	48	4	90	10350	115
22927	5050	48	4	100	11500	115

* 5050: LUMILEDS 5050; 3535: CREE XPG3; 3030: LUMILEDS 3030

Lm: This data is tested under normal working condition, the actual data will depends on environment condition, optics/diffuser and CCT.

MODERNO-A

MC-LED97

Patented design

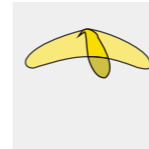
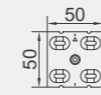
MC-LED97

Hight:4-6M

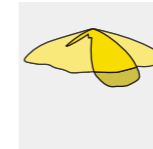


Optics available

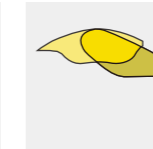
3535/5050



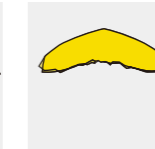
SL4T2



SL4T3



SL4T4

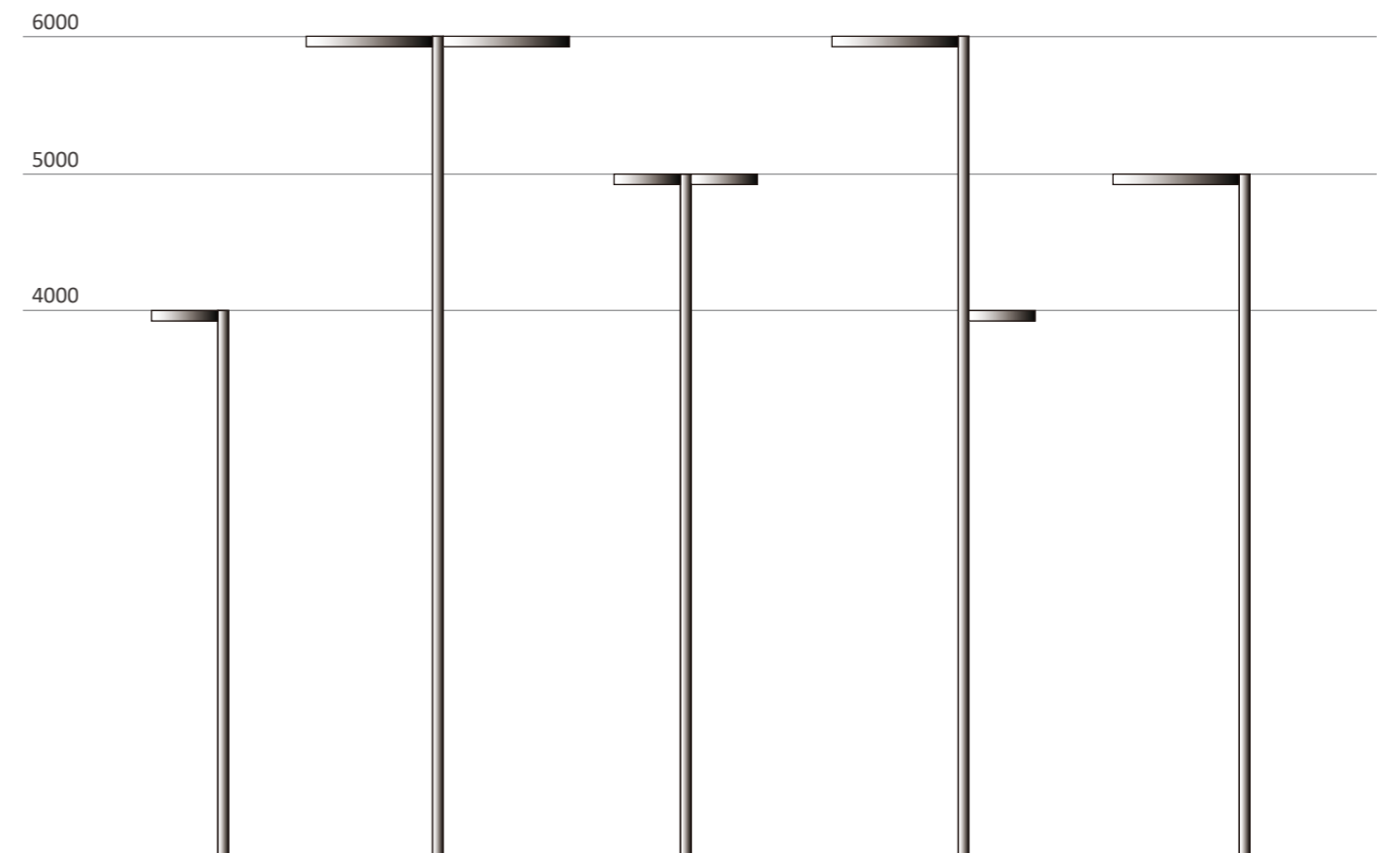


GH4T5

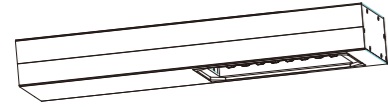
CE CB IP65 IK08

Technical information

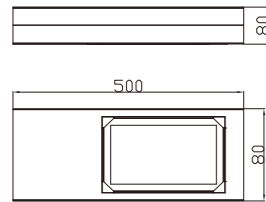
Parameter	Technical data	Parameter	Technical data
Lifetime	Up to 100,000hrs LM70,Ta 25 C	Driver isolation	Class I or Class II
Wattags	20~80W	Control dimming	DALI / 1-10V / Timing / PWM
Light efficacy	Up to 147lm/W	Operating temperature	-35°C~50°C / 10% ~ 95% (humidity)
CRI	≥ 70 or ≥ 80	Body parts material	Die cast Aluminum + Extrusion Aluminum
Color temperature	3000K, 4000K, Amber color	Optic	PC (standard) / PMMA (option)
Operation voltage	AC 90-305V or AC 220-240V	Screen	Tempered glass
Frequency	50 / 60Hz	Gasket	Silicone
Power factor	≥0.95 cos	Color stability	3 or 5 MacAdam steps



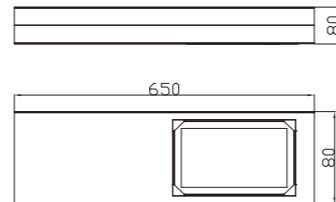
Code



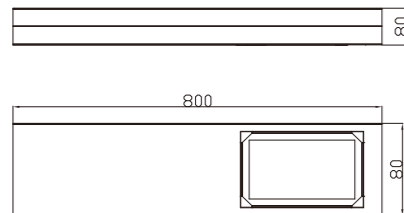
Order code	Chip	LED QTY	Lens Type	Power (W)	Luminaire output flux (lm)	Luminaire efficacy (lm/W)
29701	5050	16	4	20	2940	147
29702	5050	16	4	40	5640	141
29703	5050	32	4	60	8460	141
29704	5050	32	4	80	11200	140
29705	3535	16	4	20	2940	147
29706	3535	16	4	40	5640	141
29707	3535	32	4	60	8460	141
29708	3535	32	4	80	11200	140



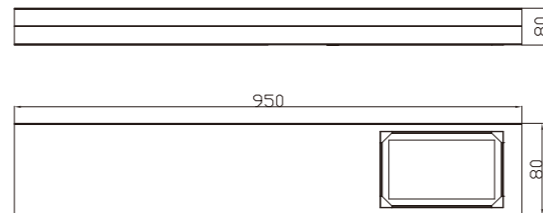
MC-LED97-500



MC-LED97-650



MC-LED97-800



MC-LED97-950

* 5050: LUMILEDS 5050; 3535: CREE XPG3; 3030: LUMILEDS 3030

Lm: This data is tested under normal working condition, the actual data will depends on environment condition, optics/diffuser and CCT.



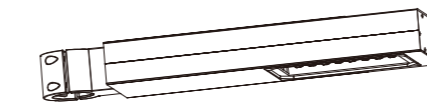
MODERNO- B

MC-LED97B

Patented design



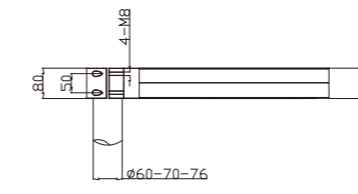
Optics available



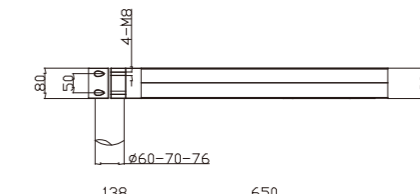
Order code	Chip	LED QTY	Lens Type	Power (W)	Luminaire output flux (lm)	Luminaire efficacy (lm/W)
29701	5050	16	4	20	2940	147
29702	5050	16	4	40	5640	141
29703	5050	32	4	60	8460	141
29704	5050	32	4	80	11200	140
29705	3535	16	4	20	2940	147
29706	3535	16	4	40	5640	141
29707	3535	32	4	60	8460	141
29708	3535	32	4	80	11200	140

Technical information

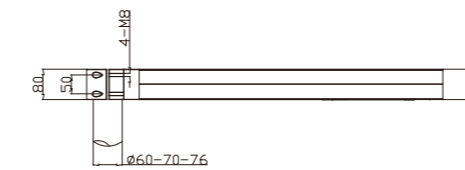
Parameter	Technical data	Parameter	Technical data
Lifetime	Up to 100,000hrs LM70,Ta 25 C	Driver isolation	Class I or Class II
Wattags	20~80W	Control dimming	DALI / 1-10V / Timing / PWM
Light efficacy	Up to 147lm/W	Operating temperature	-35°C~50°C / 10% ~ 95% (humidity)
CRI	≥ 70 or ≥ 80	Body parts material	Die cast Aluminum + Extrusion Aluminum
Color temperature	3000K, 4000K, Amber color	Optic	PC (standard) / PMMA (option)
Operation voltage	AC 90-305V or AC 220-240V	Screen	Tempered glass
Frequency	50 / 60Hz	Gasket	Silicone
Power factor	≥0.95 cos	Color stability	3 or 5 MacAdam steps



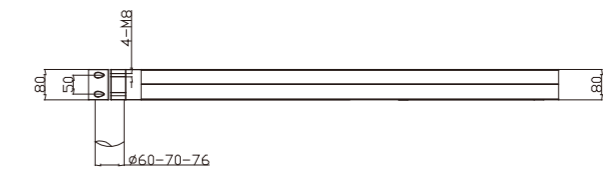
MC-LED97B-500



MC-LED97B-650



MC-LED97B-800



MC-LED97B-950