

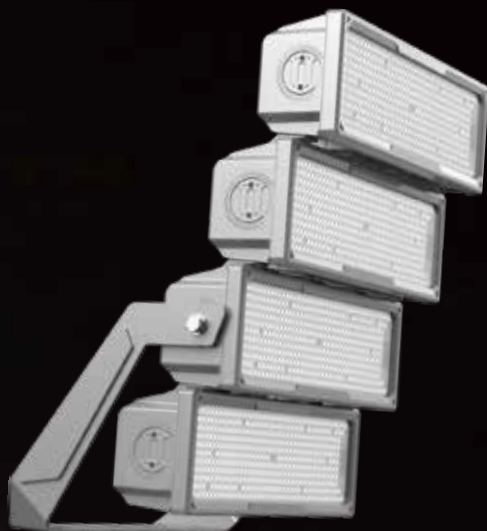


**Modern City**



**T16**

**Floodlight**



**MC-FL16-1000W**



**MC-FL16-750W**



**MC-FL16-500W**



**MC-FL16-250W**



The lamp is designed by our own R&D team. Various tests, such as salt spray test, waterproof test and vibration test.

Ensure its excellent waterproof performance, safe packaging and safety during transportation.

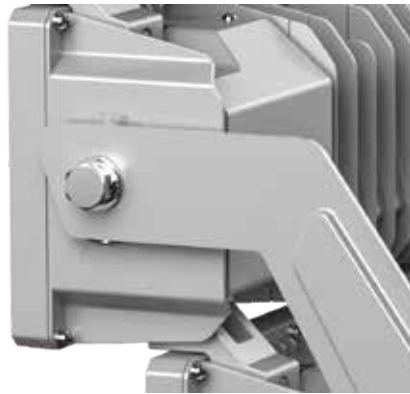
New generation products, light weight, high light efficiency, good heat dissipation, small size, small wind resistance, wide lighting range and adjustable.



Beam angle. The power supply can be built in. Quick splicing and replacement of lamp modules. The waterproof performance of the lamp is IP66, which is suitable for outdoor venues such as stadiums and docks.



The Module is spliced quickly for easy installation



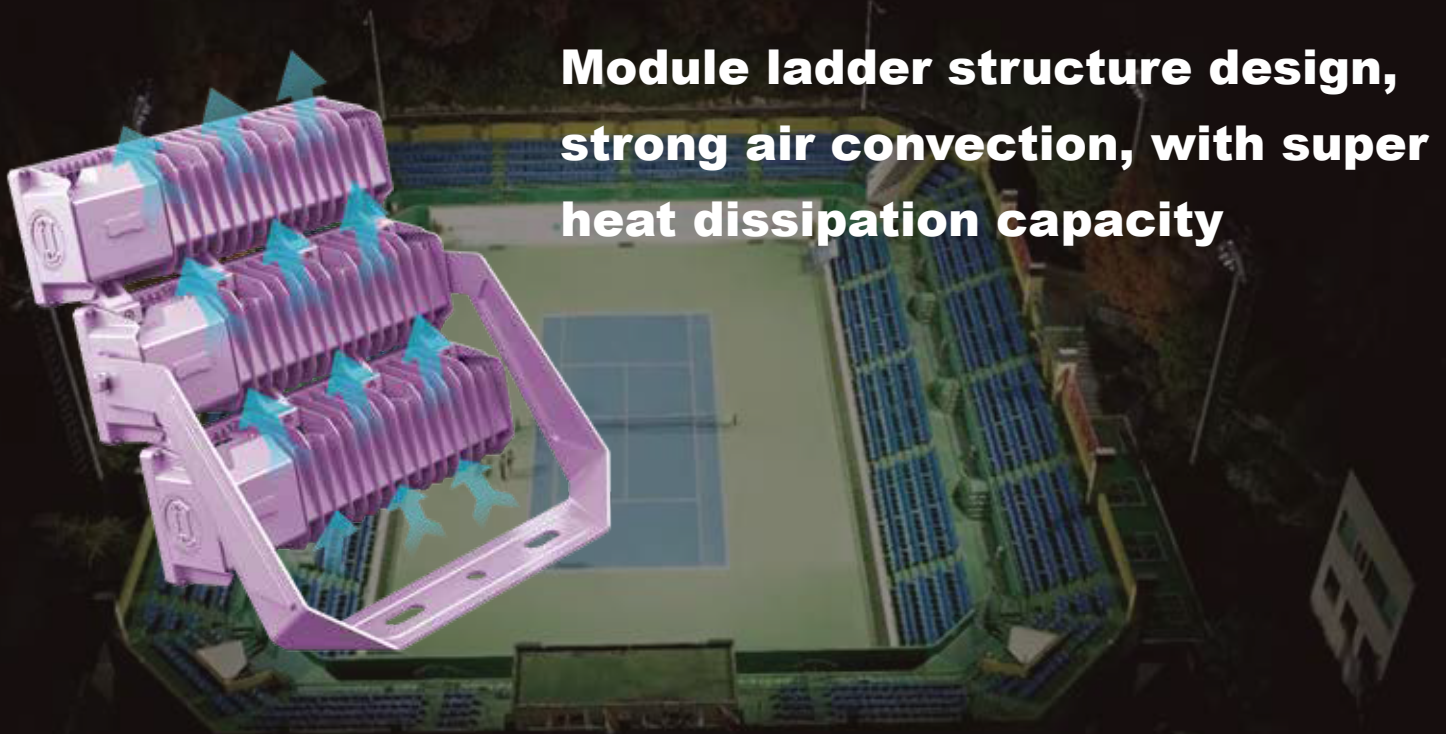
The bracket can be infinitely adjusted, and the product can be installed upright and reversely



Integrated design of Driver and Heat sink



Concealed wiring of the product , simple appearance



**Module ladder structure design, strong air convection, with super heat dissipation capacity**

# Parameters

Model No.	MC-FL16-250W	MC-FL16-500W	MC-FL16-750W	MC-FL16-1000W
Dimension(mm)	504*208*200mm	506*352*280mm	506*490*406mm	506*642*460mm
Input Voltage	AC100-277V 50/60Hz			
Output Voltage	DC 54V			
Wattage(W)	250W	500W	750W	1000W
CRI	70 / 80 / 90			
Efficiency	160LM/W(Lumileds 2835/3030), 135LM/W(CSP)			
Beam Angle(°)	15°/30°/45°/60°/NB-P60°			
CCT	3000K/4000K/5000K/5700K/6500K			
PF	0.95			
Power Factor	95%			
THD	≤20%			
IP	IP66			
IK	IK08			
Surge Protection	10KV			
Operating Temp Ranger	-40°C~+50°C@ outdoor			
Dimming Control	0-10V, DALI-2			
Lifetime	100000H(L70B50@25°C)			
Percent flicker[%]	<1%			
Weight	6kg±0.5	12kg±0.5	18.5kg±0.5	24kg±0.5
Certificate	CB / ENEC / CE			

## Photometric Diagrams Optional(15° / 30° / 45° / 60° / NB-60)



15°

30°

40°

60°

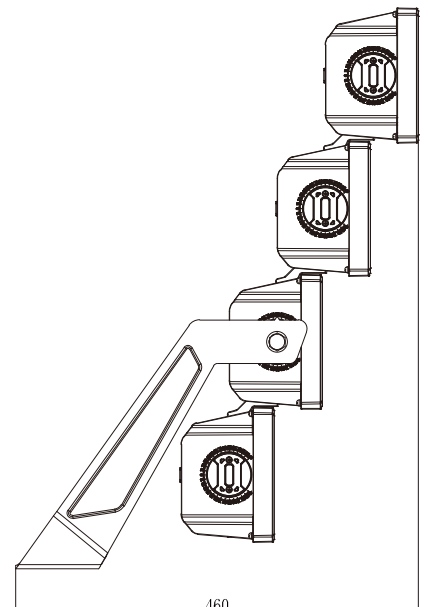
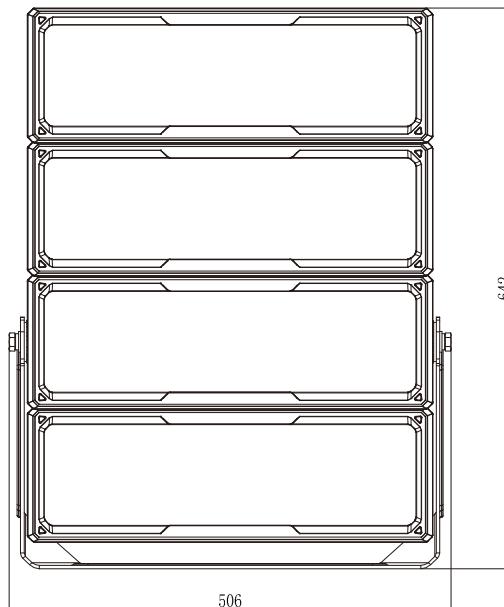
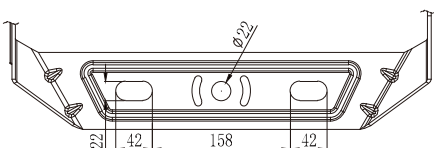
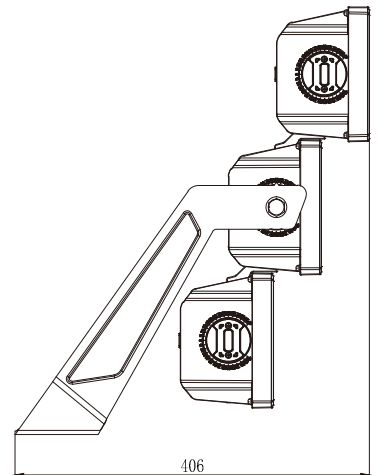
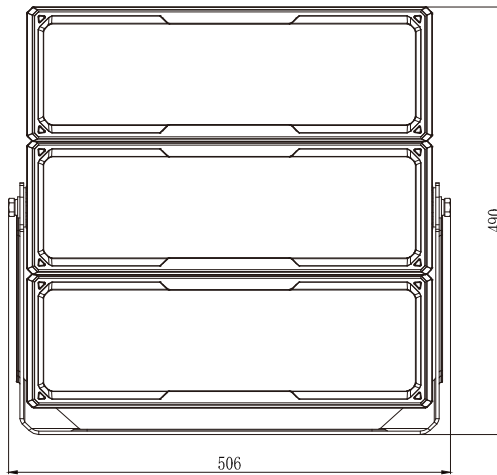
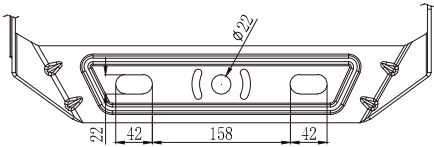
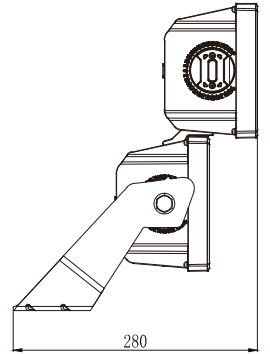
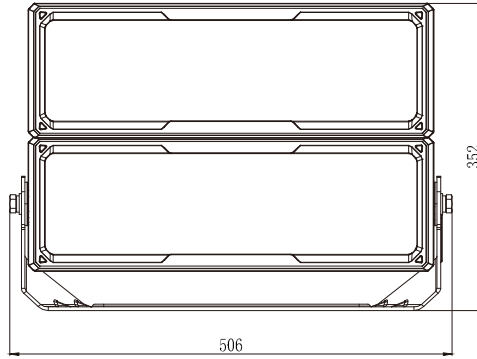
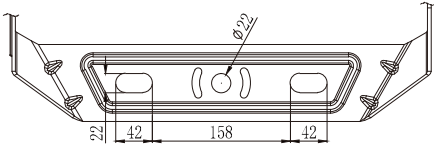
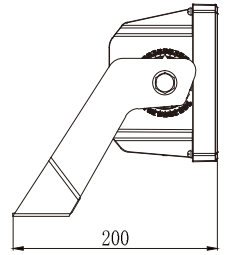
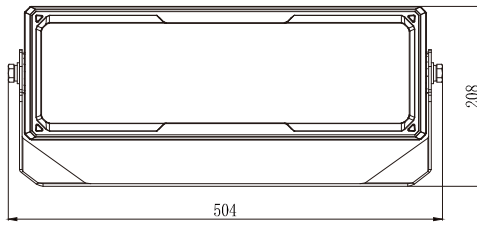
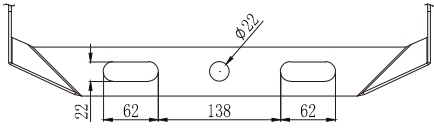
NB-60

Uniform illumination, multiple lenses available

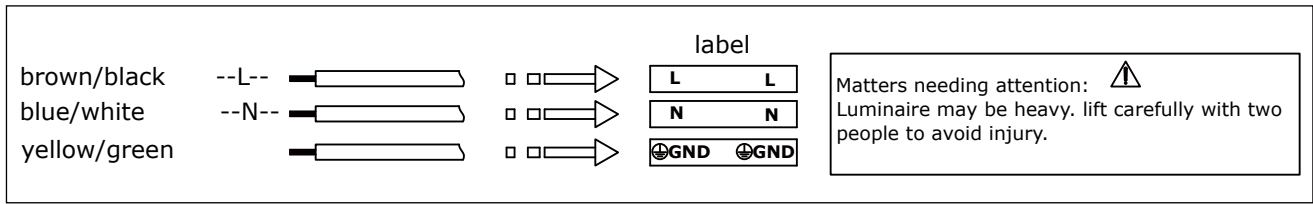
Symmetrical and asymmetric lenses to meet customers' lighting needs in various places

Stronger Heat Dissipation

# Dimension (mm)



# Wiring Diagram



## Application



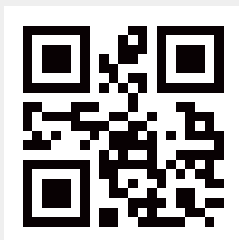
Sports Filed



The Airport



Wharf / Harbor



Address: XL Tower Business Bay 12A  
Floor /office 12A07,  
Phone Number: +971558289347  
Website: [www.moderncity.ae](http://www.moderncity.ae)  
Email : [eng@moderncity.ae](mailto:eng@moderncity.ae)  
[marketing@moderncity.ae](mailto:marketing@moderncity.ae)  
[sales1@moderncity.ae](mailto:sales1@moderncity.ae)  
[sales2@moderncity.ae](mailto:sales2@moderncity.ae)  
[salesonline@moderncity.ae](mailto:salesonline@moderncity.ae)